



Clarke Health Care Products
 Distributor for Icon Wheelchairs
 Toll Free: 1-888-347-4537

Icon Wheelchairs Inc.
www.iconwheelchairs.com
 Toll Free: 1-888-461-5759

Icon A1

ORDER INFO

Base Chair Price (HCPCS code: K0005)	USD\$	2,595
Upgrades (pages 3, 4a and 4b)	+ USD\$	
Accessories (page 5)	+ USD\$	
Misc (page 6)	+ USD\$	
Shipping		
<input type="checkbox"/> Continental US (Ground):	\$175	+ USD\$
<input type="checkbox"/> Continental US (Expedited):	Call for price	+ USD\$
<input type="checkbox"/> Continental US (Other):	Call for price	+ USD\$
TOTAL MSRP for Quote:	USD\$	

Standard Icon A1 Features

- Rear Suspension (HCPCS code: E1015)
- Upholstery Backrest
- Solid Seat Panel (HCPCS code: E2231)
- Full Adjustability

DEALER INFO

Dealership:

Customer No:

Requested By:

Quote No:

PO No:

Date:

CLIENT INFO

Name:

Phone:

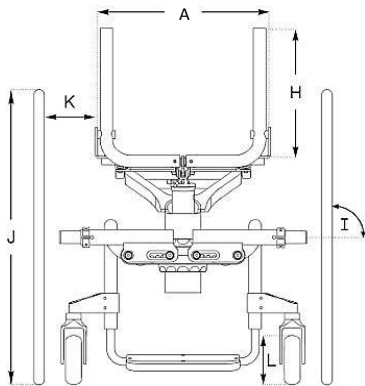
Email:

Ship To: Dealer Other (specify)

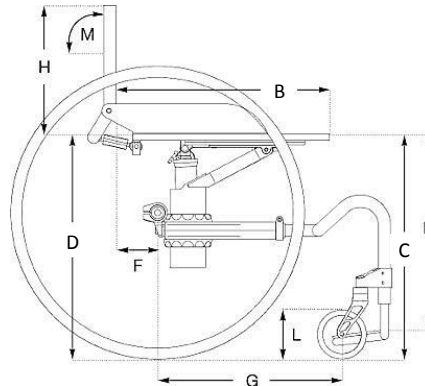
Address:

MEASUREMENT FOR QUOTE

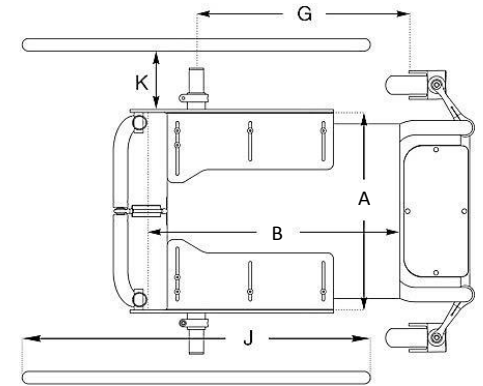
Dimension/Location	Client's Specifications	Available Ranges
Seat Width	A	10 to 20"
Seat Depth	B	12 to 19"
Front Seat Height	C	16 to 23"
Rear Seat Height	D	14.5 to 23"
Seat-to-Footrest Height	E	15 to 22"
Center of Gravity (COG)	F	0 to 4"
Overall Length (Wheelbase)	G	13 to 21"
Backrest Height	H	10 to 18"
Rear Wheel Camber Angle	I	0, 2, 4, or 6°
Rear Wheel Size	J	22, 24, 25 or 26"
Rear Wheel Spacing	K	0.5 to 1.5"
Front Wheel Caster Size	L	4 or 5"
Back Angle	M	-10 to +3°
Shock Pressure (Rider Weight)		0 to 265 psi



Chair Profile: Rear



Chair Profile: Side



Chair Profile: Top



Clarke Health Care Products
 Distributor for Icon Wheelchairs
 Toll Free: 1-888-347-4537

Icon Wheelchairs Inc.
www.iconwheelchairs.com
 Toll Free: 1-888-461-5759

The Icon A1 is designed to be as adjustable as possible. However, to be able to meet the full range of adjustability we have created various size packages. Size Packages contain a bundle of parts which will be adjustable across a range of sizes..

Based on the measurements you recorded on the previous page, Icon is able to select the appropriate Size Package for your chair. However, if you wish to select a specific Size Package, please chose from this table.

As an example, a 16" x 16" Icon A1 can be configured with a base seat pan that adjusts from 14" – 17" wide or from 16" – 19" wide.

If you do not wish to select a specific Size Package, please indicate whether you would like a Laminate or Carbon Seat Pan below:

- Laminate Seat Pan No charge
- Carbon Seat Pan \$675

PG. 2 – SEAT SIZE PACKAGES

SEAT SIZE PACKAGES (OPTIONAL)

Seat Width Range

			PEDS	Small	Medium	Large	Extra Large
			10 – 13"	12 – 15"	14 to 17"	16 – 19"	18 – 20"
Seat Depth Range	PEDS	Carbon Seat Pan					
		Laminate Seat Pan	No charge <input type="checkbox"/> Part Number: 2001710				
	Short	Carbon Seat Pan		+ \$675 <input type="checkbox"/> Part Number: 2001740			
		Laminate Seat Pan		No charge <input type="checkbox"/> Part Number: 2001730			
	Intermediate	Carbon Seat Pan			+ \$675 <input type="checkbox"/> Part Number: 2001780	+ \$675 <input type="checkbox"/> Part Number: 2001820	
			Laminate Seat Pan		No charge <input type="checkbox"/> Part Number: 2001770	No charge <input type="checkbox"/> Part Number: 2001810	No charge <input type="checkbox"/> Part Number: 2001860
		Carbon Seat Pan			+ \$675 <input type="checkbox"/> Part Number: 2001800	+ \$675 <input type="checkbox"/> Part Number: 2001840	
			Laminate Seat Pan		No charge <input type="checkbox"/> Part Number: 2001790	No charge <input type="checkbox"/> Part Number: 2001830	
	Long	Carbon Seat Pan					
		Laminate Seat Pan					

Dealer:

Contact:



Clarke Health Care Products
 Distributor for Icon Wheelchairs
 Toll Free: 1-888-347-4537

Icon Wheelchairs Inc.
www.iconwheelchairs.com
 Toll Free: 1-888-461-5759

PG. 3 – OPTIONS & UPGRADES

Rear Wheels	Price	Please select an option	
Icon Standard Wheels	No charge	<input type="checkbox"/> 22" Part # 20000000	
		<input type="checkbox"/> 24" Part # 20000010	
		<input type="checkbox"/> 25" Part # 20000020	
		<input type="checkbox"/> 26" Part # 20000030	
Spinergy WIRE	\$285.00	<input type="checkbox"/> 22" Part # 20000040	
		<input type="checkbox"/> 24" Part # 20000050	
		<input type="checkbox"/> 25" Part # 20000060	
		<input type="checkbox"/> 26" Part # 20000070	
Spinergy SPOX	\$695.00	<input type="checkbox"/> 22" Part # 20000080	
		<input type="checkbox"/> 24" Part # 20000090	
		<input type="checkbox"/> 25" Part # 20000100	
		<input type="checkbox"/> 26" Part # 20000110	
Spinergy LX	\$895.00	<input type="checkbox"/> 22" Part # 20000120	
		<input type="checkbox"/> 24" Part # 20000130	
		<input type="checkbox"/> 25" Part # 20000140	
		<input type="checkbox"/> 26" Part # 20000150	
Round Betty Dino	\$895.00	<input type="checkbox"/> 24" Part # 20000160	
		<input type="checkbox"/> 25" Part # 20000170	
Topolino CF	\$1295.00	<input type="checkbox"/> 24" Part # 20000180	
		<input type="checkbox"/> 25" Part # 20000190	

Dealer:

Contact:

Front Casters	Price	Please select an option	
Icon Rollerblade-Style	No charge	<input type="checkbox"/> 4"	Part # 2000200
Icon Comfort Roll	\$40.00	<input type="checkbox"/> 4 x 1"	Part # 2001930
Icon Aluminum Comfort Roll	\$85.00	<input type="checkbox"/> 5 x 1 1/4"	Part # 2001960
Frog Legs EPIC Softroll - Aluminum	\$105.98	<input type="checkbox"/> 4 x 1 3/8"	Part # 2000230
Frog Legs EPIC Softroll - Aluminum	\$113.98	<input type="checkbox"/> 5 x 1 3/8"	Part # 2000240

Suspension	Price	Please select an option	
Standard Shock	No charge	<input type="checkbox"/>	Part # 2000340
Shock w/Lockout	\$235.00	<input type="checkbox"/>	Part # 2000350

Icon uses technology from the mountain bike (MTB) world, proven out by top Olympic athletes and weekend warriors alike. Both shock options are fully serviceable, can easily be adjusted to tweak the spring rate (the speed at which the shock compresses/rebounds) and, of course, can be quickly calibrated to match the rider's weight. The Lockout option allows the rider to "turn off" the shock if suspension is not desired at any particular time.

Caster Forks	Price	Please select an option	
Icon Standard Fork	No charge	<input type="checkbox"/>	Part # 2000360
Frog Legs Uni-Tine (not available with Icon Comfort Roll casters)	\$159.99	<input type="checkbox"/>	Part # 2000370
Frog Legs Ultra-Sport (not available with Icon Comfort Roll casters)	\$319.99	<input type="checkbox"/>	Part # 2000380

HPCPS code: E1015



Clarke Health Care Products
 Distributor for Icon Wheelchairs
 Toll Free: 1-888-347-4537

Icon Wheelchairs Inc.
www.iconwheelchairs.com
 Toll Free: 1-888-461-5759

ADI Back Supports incorporate additional stability and support. Back widths available for the Icon range from 13 to 18 inches (and can be selected independently of the seat width if necessitated by the rider's requirements). A medium height 17" carbon fiber (CF) shell weighs approximately 27 oz (765 g), while the same size shell in aluminum (AL) is about 11 oz (310 g) heavier at approximately 38 oz (1,075 g). The CF back is available in low, medium or standard height and the AL back is available in low, medium, standard, tall or extra tall height; both CF and AL backs come in the 2.5" active contour or the 4" deep contour.

Backrest	Price	Please select an option		
Icon Upholstery	No charge	<input type="checkbox"/> Extra Small	10 – 13"	Part # 3002270
	No charge	<input type="checkbox"/> Small	12 – 15"	Part # 3001670
	No charge	<input type="checkbox"/> Medium	14 – 17"	Part # 3001680
	No charge	<input type="checkbox"/> Large	16 – 19"	Part # 3001690
	No charge	<input type="checkbox"/> Extra Large	18 – 20"	Part # 3002280
Icon Tension Adjustable <i>HCPCS code: E2611</i>	\$300	<input type="checkbox"/> Extra Small	10 – 13"	Part # 3002240
	\$300	<input type="checkbox"/> Small	12 – 15"	Part # 3000600
	\$300	<input type="checkbox"/> Medium	14 – 17"	Part # 3000610
	\$300	<input type="checkbox"/> Large	16 – 19"	Part # 3000620
	\$300	<input type="checkbox"/> Extra Large	18 – 20"	Part # 3002250

Additional Backrest options on next page

Dealer:

Contact:

PG. 4A – OPTIONS & UPGRADES

Backrest	Size (Height)	Contour	Price	Please select an option	
ADI Carbon Fiber	Low (10")	Active (2 ½") <i>HCPCS code: E2613</i>	\$745.00	<input type="checkbox"/> 13"	Part # 2000850
				<input type="checkbox"/> 14"	Part # 2000870
				<input type="checkbox"/> 15"	Part # 2000890
				<input type="checkbox"/> 16"	Part # 2000910
				<input type="checkbox"/> 17"	Part # 2000930
				<input type="checkbox"/> 18"	Part # 2000950
ADI Carbon Fiber	Low (10")	Deep (4") <i>HCPCS code: E2615</i>	\$845.00	<input type="checkbox"/> 13"	Part # 2000860
				<input type="checkbox"/> 14"	Part # 2000880
				<input type="checkbox"/> 15"	Part # 2000900
				<input type="checkbox"/> 16"	Part # 2000920
				<input type="checkbox"/> 17"	Part # 2000940
				<input type="checkbox"/> 18"	Part # 2000960
ADI Carbon Fiber	Medium (13")	Active (2 ½") <i>HCPCS code: E2613</i>	\$815.00	<input type="checkbox"/> 13"	Part # 2000970
				<input type="checkbox"/> 14"	Part # 2000990
				<input type="checkbox"/> 15"	Part # 2001010
				<input type="checkbox"/> 16"	Part # 2001030
				<input type="checkbox"/> 17"	Part # 2001050
				<input type="checkbox"/> 18"	Part # 2001070
ADI Carbon Fiber	Medium (13")	Deep (4") <i>HCPCS code: E2615</i>	\$915.00	<input type="checkbox"/> 13"	Part # 2000980
				<input type="checkbox"/> 14"	Part # 2001000
				<input type="checkbox"/> 15"	Part # 2001020
				<input type="checkbox"/> 16"	Part # 2001040
				<input type="checkbox"/> 17"	Part # 2001060
				<input type="checkbox"/> 18"	Part # 2001080
ADI Carbon Fiber	Standard (16")	Active (2 ½") <i>HCPCS code: E2613</i>	\$880.00	<input type="checkbox"/> 13"	Part # 2001090
				<input type="checkbox"/> 14"	Part # 2001110
				<input type="checkbox"/> 15"	Part # 2001130
				<input type="checkbox"/> 16"	Part # 2001150
				<input type="checkbox"/> 17"	Part # 2001170
				<input type="checkbox"/> 18"	Part # 2001190
ADI Carbon Fiber	Standard (16")	Deep (4") <i>HCPCS code: E2615</i>	\$990.00	<input type="checkbox"/> 13"	Part # 2001100
				<input type="checkbox"/> 14"	Part # 2001120
				<input type="checkbox"/> 15"	Part # 2001140
				<input type="checkbox"/> 16"	Part # 2001160
				<input type="checkbox"/> 17"	Part # 2001180
				<input type="checkbox"/> 18"	Part # 2001200



Clarke Health Care Products
 Distributor for Icon Wheelchairs
 Toll Free: 1-888-347-4537

Icon Wheelchairs Inc.
www.iconwheelchairs.com
 Toll Free: 1-888-461-5759

ADI Back Supports incorporate additional stability and support. Back widths available for the Icon range from 13 to 18 inches (and can be selected independently of the seat width if necessitated by the rider's requirements). A medium height 17" carbon fiber (CF) shell weighs approximately 27 oz (765 g), while the same size shell in aluminum (AL) is about 11 oz (310 g) heavier at approximately 38 oz (1,075 g). The CF back is available in low, medium or standard height and the AL back is available in low, medium, standard, tall or extra tall height; both CF and AL backs come in the 2.5" active contour or the 4" deep contour.

PG. 4B – OPTIONS & UPGRADES

Backrest	Size (Height)	Contour	Price	Please select an option
ADI Aluminum	Low (10")	Active (2 ½") HCPCS code: E2613	\$610.00	<input type="checkbox"/> 13" Part # 2000390
				<input type="checkbox"/> 14" Part # 2000410
				<input type="checkbox"/> 15" Part # 2000430
				<input type="checkbox"/> 16" Part # 2000450
				<input type="checkbox"/> 17" Part # 2000470
ADI Aluminum	Low (10")	Deep (4") HCPCS code: E2615	\$685.00	<input type="checkbox"/> 18" Part # 2000490
				<input type="checkbox"/> 13" Part # 2000400
				<input type="checkbox"/> 14" Part # 2000420
				<input type="checkbox"/> 15" Part # 2000440
				<input type="checkbox"/> 16" Part # 2000460
ADI Aluminum	Medium (13")	Active (2 ½") HCPCS code: E2613	\$625.00	<input type="checkbox"/> 17" Part # 2000480
				<input type="checkbox"/> 18" Part # 2000500
				<input type="checkbox"/> 13" Part # 2000510
				<input type="checkbox"/> 14" Part # 2000530
				<input type="checkbox"/> 15" Part # 2000550
ADI Aluminum	Medium (13")	Deep (4") HCPCS code: E2615	\$700.00	<input type="checkbox"/> 16" Part # 2000570
				<input type="checkbox"/> 17" Part # 2000590
				<input type="checkbox"/> 18" Part # 2000610
				<input type="checkbox"/> 13" Part # 2000520
				<input type="checkbox"/> 14" Part # 2000540
ADI Aluminum	Standard (16")	Active (2 ½") HCPCS code: E2613	\$640.00	<input type="checkbox"/> 15" Part # 2000560
				<input type="checkbox"/> 16" Part # 2000580
				<input type="checkbox"/> 17" Part # 2000600
				<input type="checkbox"/> 18" Part # 2000620
				<input type="checkbox"/> 14" Part # 2000630
ADI Aluminum	Standard (16")	Deep (4") HCPCS code: E2615	\$715.00	<input type="checkbox"/> 15" Part # 2000650
				<input type="checkbox"/> 16" Part # 2000670
				<input type="checkbox"/> 17" Part # 2000690
				<input type="checkbox"/> 18" Part # 2000710
				<input type="checkbox"/> 14" Part # 2000640
ADI Aluminum	Tall (18")	Active (2 ½") HCPCS code: E2613	\$655.00	<input type="checkbox"/> 15" Part # 2000660
				<input type="checkbox"/> 16" Part # 2000680
				<input type="checkbox"/> 17" Part # 2000700
				<input type="checkbox"/> 18" Part # 2000720
				<input type="checkbox"/> 16" Part # 2000730
ADI Aluminum	Tall (18")	Deep (4") HCPCS code: E2615	\$730.00	<input type="checkbox"/> 17" Part # 2000750
				<input type="checkbox"/> 18" Part # 2000770
				<input type="checkbox"/> 16" Part # 2000740
				<input type="checkbox"/> 17" Part # 2000760
				<input type="checkbox"/> 18" Part # 2000780
ADI Aluminum	Extra Tall (20")	Active (2 ½") HCPCS code: E2613	\$670.00	<input type="checkbox"/> 16" Part # 2000790
				<input type="checkbox"/> 17" Part # 2000810
				<input type="checkbox"/> 18" Part # 2000830
				<input type="checkbox"/> 16" Part # 2000800
				<input type="checkbox"/> 17" Part # 2000820
ADI Aluminum	Extra Tall (20")	Deep (4") HCPCS code: E2615	\$745.00	<input type="checkbox"/> 18" Part # 2000840
				<input type="checkbox"/> 18" Part # 2000840

Additional Backrest options on prior pager

Dealer:

Contact:



Clarke Health Care Products
 Distributor for Icon Wheelchairs
 Toll Free: 1-888-347-4537

Icon Wheelchairs Inc.
www.iconwheelchairs.com
 Toll Free: 1-888-461-5759

PG. 5 – ACCESSORIES

For your reference. Transcribe on to the first page once complete

Options & Upgrades (pages 3, 4a and 4b)	\$
Accessories (page 5)	\$
Misc (page 6)	\$

Dealer:

Contact:

Sideguards		Price	Please select an option
Icon Sideguards (aluminum) – 7 ½"	HCPCS code: K0108	\$175.00	<input type="checkbox"/> Part # 2001690
Icon Sideguards (aluminum) – 9"	HCPCS code: K0108	\$175.00	<input type="checkbox"/> Part # 2001700
Icon Carbon Fiber Sideguards – 7 ½"	HCPCS code: K0108	\$325.00	<input type="checkbox"/> Part # 2001220
Icon Carbon Fiber Sideguards – 9"	HCPCS code: K0108	\$325.00	<input type="checkbox"/> Part # 2001230
ADI Carbon Fiber Custom Sideguards	HCPCS code: K0108	\$375.00	<input type="checkbox"/> Part # 2001240
Icon Carbon Fiber Fender Sideguards	HCPCS code: K0108	\$575.00	<input type="checkbox"/> Part # 2001250

Wheel Locks		Price	Please select an option
Icon Scissor Wheel Locks	HCPCS code: E2206	\$155.00	<input type="checkbox"/> Part # 2001260
Icon Push-to-Lock Wheel Locks	HCPCS code: E2206	\$155.00	<input type="checkbox"/> Part # 2001270

Comfort & Safety		Price	Please select an option
Icon Height Adjustable and Removable Armrests	HCPCS code: E0973	\$325.00	<input type="checkbox"/> Part # 2001280
Icon Push Handles		\$235.00	<input type="checkbox"/> Part # 2001290
Icon Anti-Tips	HCPCS code: E0971	\$175.00	<input type="checkbox"/> Part # 2001300
Icon Folding Back		\$150.00	<input type="checkbox"/> Part # 2030410
Shock Pump (for adjusting suspension pressure)		\$39.95	<input type="checkbox"/> Part # 2001310

Transfer Assist		Price	Please select an option
Icon Transfer Handles		\$235.00	<input type="checkbox"/> Part # 2001320
Icon Crossbar (Rigidizer)		\$175.00	<input type="checkbox"/> Part # 2001330

